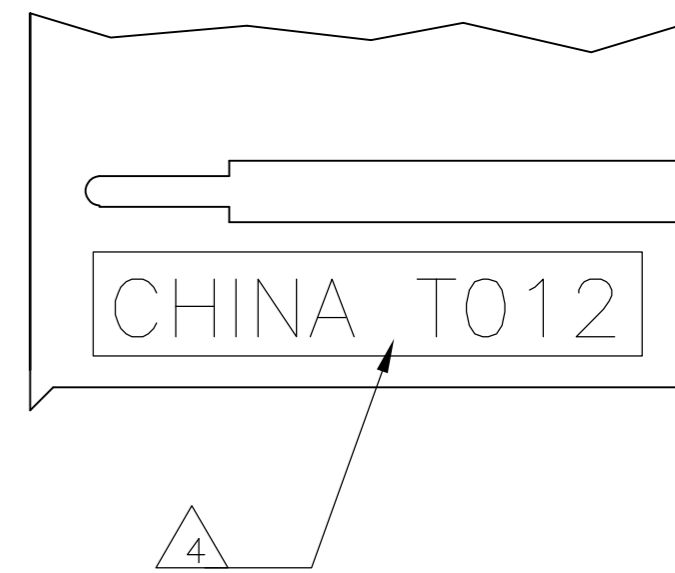
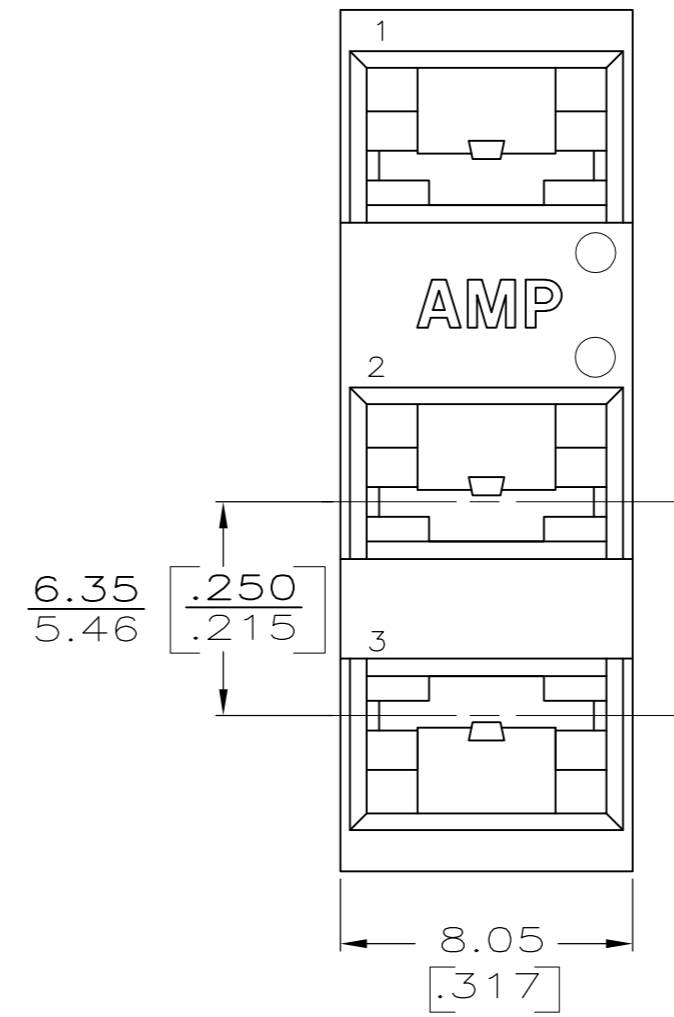
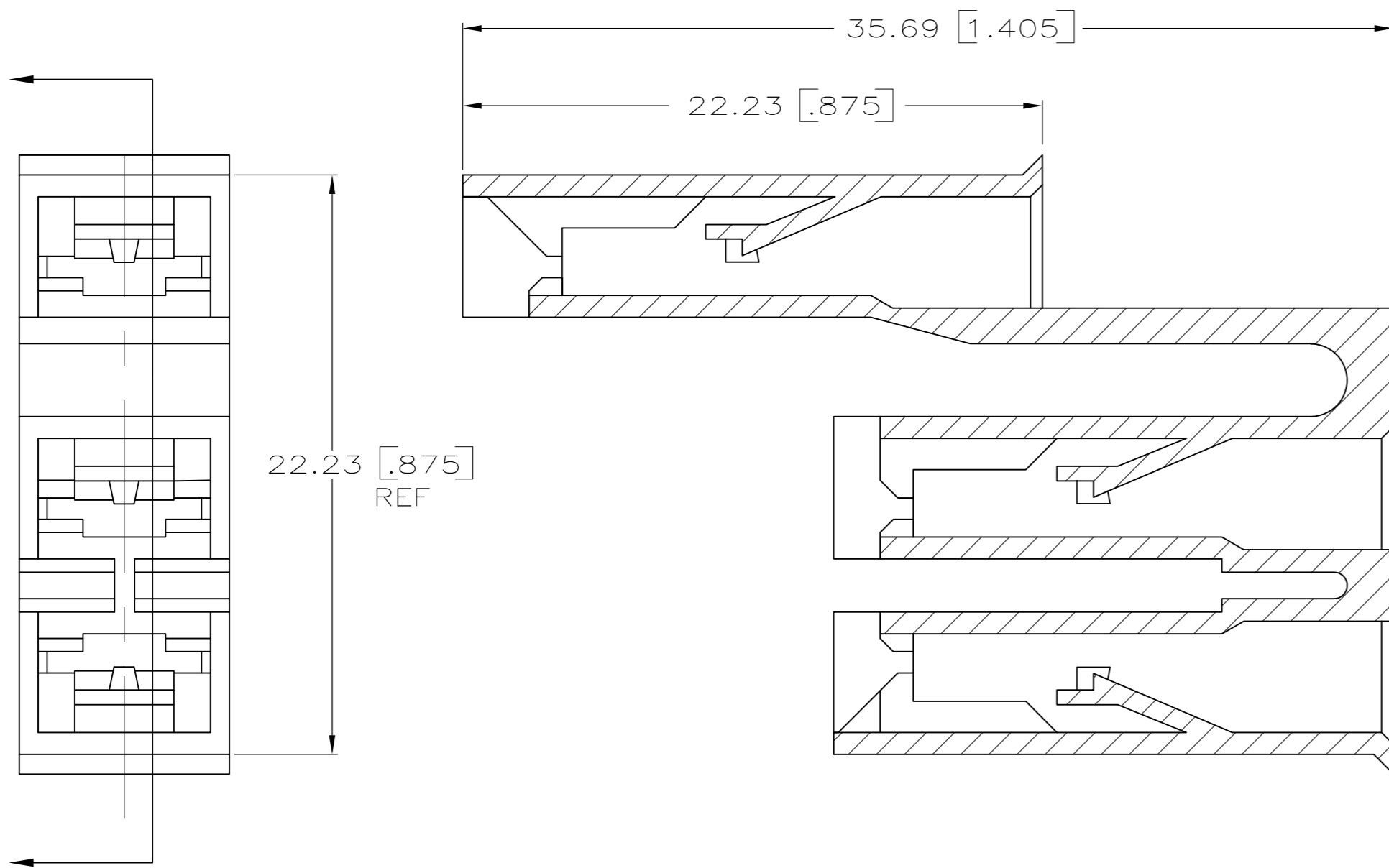


THIS DRAWING IS UNPUBLISHED. RELEASED FOR PUBLICATION
 © COPYRIGHT BY TYCO ELECTRONICS CORPORATION. ALL RIGHTS RESERVED.

| LOC | DIST | REVISIONS | | | |
|-----|------|-------------|-----------------------|---------|-------|
| P | LTR | DESCRIPTION | DATE | DWN | APVD |
| AF | 50 | AB4 | REV PER ECR 07-019039 | 13AUG07 | JR PD |



- 1 DIMENSIONS IN BRACKETS ARE IN INCHES.
- 2 HOUSING TO BE USED WITH THE FOLLOWING TERMINALS; 42452, 42453, 42373, 42374, 42617, 60487, 60573, 60214, 60621, 61017, 61079, 61084, 61124, 61919, 60831, 62138.
- 3 HOUSING TO BE USED WITH CHERRY SWITCH STANDARD FORCE/MINEATURE SERIES E23, E33, E34.
- △4 COUNTRY OF ORIGIN AND VENDOR CODE
- △5 PRELIMINARY - NOT FOR PRODUCTION

| FINISH | MATERIAL | PART NO |
|---------------------|-----------------------------------------------------------|---------------------|
| NATURAL | 6/6 NYLON, VO | △5 360010-6 |
| NATURAL | POLYAMIDE, UL 94, V2, ACCORDING TO IEC 60335-1, GLOW WIRE | 360010-5 |
| NATURAL | 4/6 NYLON 150° C | △5 360010-4 |
| DYED RED | 6/6 NYLON | 360010-3 |
| NATURAL | 6/6 NYLON, VO | 360010-2 |
| NATURAL | 6/6 NYLON | 360010-1 |

OBSOLETE

| | | | | | |
|---------------------------------------------------------------------------------------|--|--------------|-----------|---------|-------------------------------------------------------------|
| THIS DRAWING IS A CONTROLLED DOCUMENT. | | DWN | JR RUTH | 5/21/87 | Tyco Electronics Corporation Harrisburg, PA 17105-3608 |
| DIMENSIONS: mm [INCHES] | | CHK | MS FEHER | 5/27/87 | |
| TOLERANCES UNLESS OTHERWISE SPECIFIED: | | APVD | C MEYERS | 5/27/87 | |
| 0 PLC ± - 1 PLC ± - 2 PLC ± - 3 PLC ± 0.38 [.015] 4 PLC ± - ANGLES ± - | | PRODUCT SPEC | NAME | | |
| MATERIAL SEE TABLE | | FINISH | SEE TABLE | | HOUSING, RECEPTACLE, FASTON, .187 SERIES, 3 CIRCUIT |
| CUSTOMER DRAWING | | WEIGHT | - | | SIZE A2 CAGE CODE 00779 DRAWING NO C=360010 RESTRICTED TO - |
| | | SCALE | 1:1 | | SHEET 1 OF 1 REV AB4 |